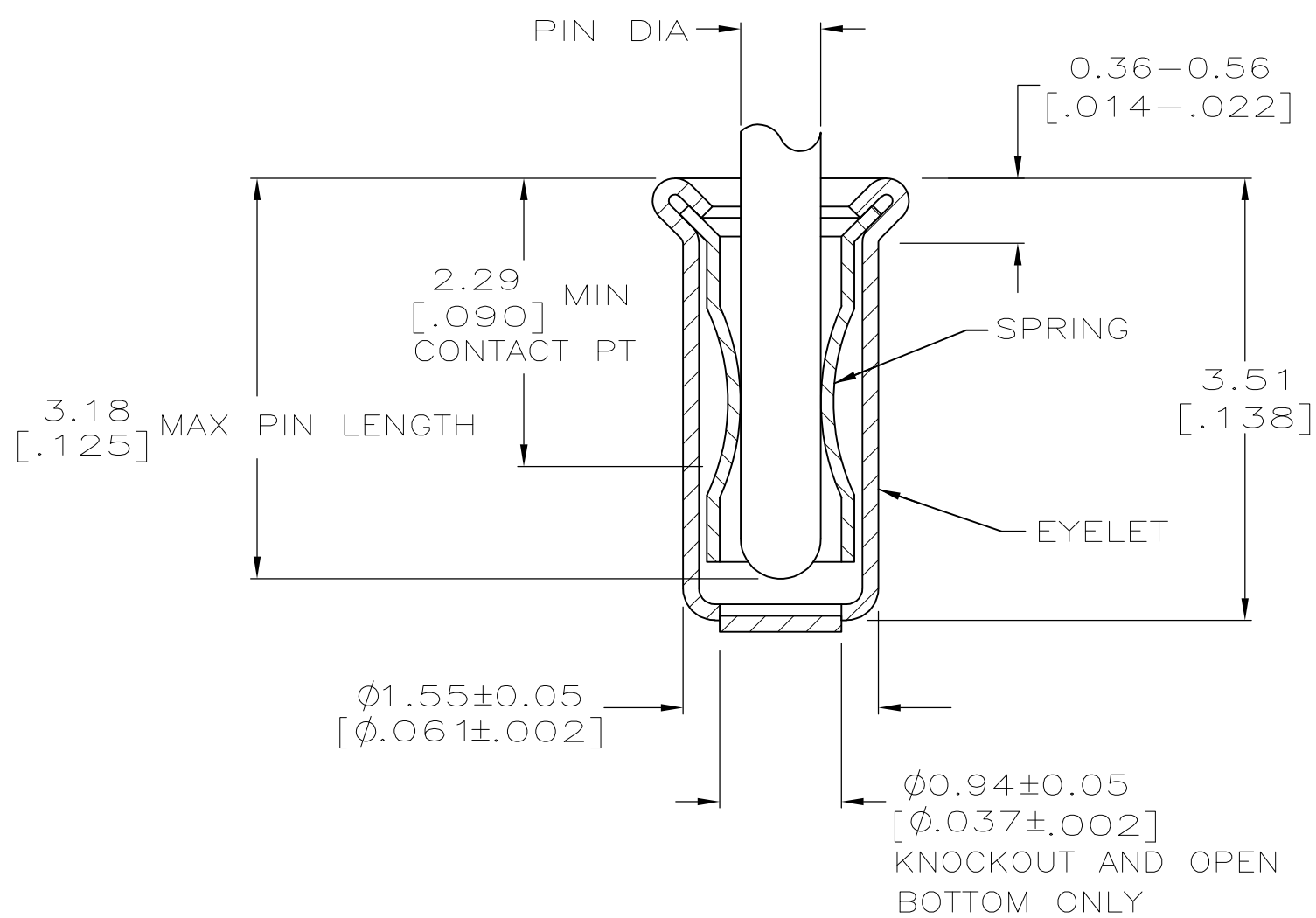
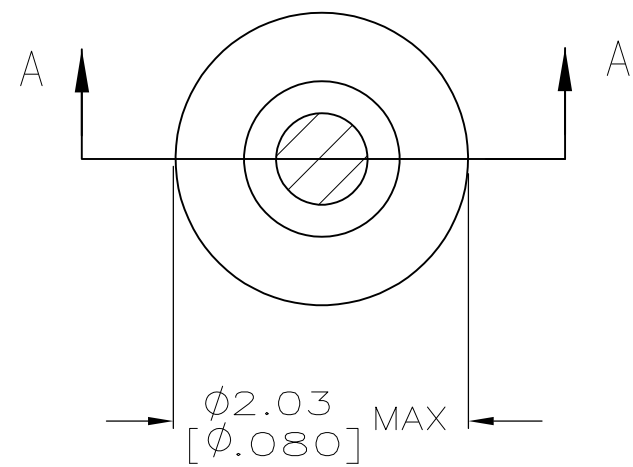


THIS DRAWING IS UNPUBLISHED. RELEASED FOR PUBLICATION
 © COPYRIGHT - By - ALL RIGHTS RESERVED.

LOC		DIST		REVISIONS			
P	LTR	DESCRIPTION		DATE	DWN	APVD	
GP	00	P		REVISED PER ECO-11-004835	07MAR11	RK HMR	



SECTION A-A

- 1. TIN PLATE PER ASTM B 545 0.00254 [.000100] MIN THICK.
- 2. GOLD PLATE PER ASTM B 488 0.00076 [.000030] MIN THICK OVER NICKEL PLATE PER QQ-N-290 0.00028 [.000011] MIN THICK ON CONTACT AREA.
- 3. RECOMMENDED HOLE SIZE, PLATED OR UNPLATED:
 MACHINE INSERTION: $1.57 \begin{matrix} +0.10 \\ -0.08 \end{matrix} \begin{matrix} [.062 +.004 \\ -.003] \end{matrix}$
 HAND INSERTION: $1.60 \begin{matrix} +0.10 \\ -0.00 \end{matrix} \begin{matrix} [.063 +.004 \\ -.000] \end{matrix}$
- 4. APPLICATION TOOL PART NUMBER: MACHINE NO. 682127-4
 INSERTION HEAD NO. 682039-3
- 5. TO INSURE PROPER SPRING TENSION DO NOT EXCEED A 0.05 [.002] DIFFERENCE IN PIN DIA WHEN CHANGING TO A SMALLER PIN.
- 6. BOTTOM PLUG KNOCKOUT TOOL PART NUMBER 69729 WITH TIP PART NUMBER 69728-1.
- 7. MATERIAL: BERYLLIUM COPPER PER ASTM B 194
 EYELET: COPPER PER ASTM B 152
- 8. OBSOLETE PARTS: OBSOLETE CIS STREAMLINING PER D.RENAUD/D.SINISI

8	OBSOLETE	FINISH		PART NO		
		EYELET	SPRING			
	OPEN	0.76-0.84	[.030-.033]	TIN 1	GOLD 2	7-5331677-4
	CLOSED	0.66-0.74	[.026-.029]			3-5331677-8
	KNOCKOUT	0.76-0.84	[.030-.033]	TIN 1	GOLD 2	3-5331677-4
		0.66-0.74	[.026-.029]			3-5331677-2
	OPEN	0.76-0.84	[.030-.033]	TIN 1	GOLD 2	2-5331677-4
		0.76-0.84	[.030-.033]			2-5331677-2
	CLOSED	0.56-0.64	[.022-.025]	TIN 1	GOLD 2	1-5331677-8
		0.76-0.84	[.030-.033]			1-5331677-6
	BOTTOM TYPE	RECOMMENDED PIN DIA	5			

THIS DRAWING IS A CONTROLLED DOCUMENT.

DIMENSIONS: mm [INCHES]	TOLERANCES UNLESS OTHERWISE SPECIFIED:	DWN: A. FERNANDEZ-DOCK5 CHK: J. HAVENER APVD: J. HAVENER	22APR2005 22APR2005 22APR2005	NAME: MINIATURE SPRING SOCKET ASSEMBLY
0 PLC ± -	1 PLC ± -	PRODUCT SPEC: 108-14008	APPLICATION SPEC: 114-13152	SIZE: A2
2 PLC ± -	3 PLC ± 0.20 [.008]	WEIGHT: -	CAGE CODE: 00779	DRAWING NO: 5331677
4 PLC ± -	ANGLES ± -	FINISH: SEE TABLE	SCALE: 20:1	SHEET: 1 OF 1
MATERIAL: NOTE 7		CUSTOMER DRAWING	RESTRICTED TO: -	REV: P

TE Connectivity